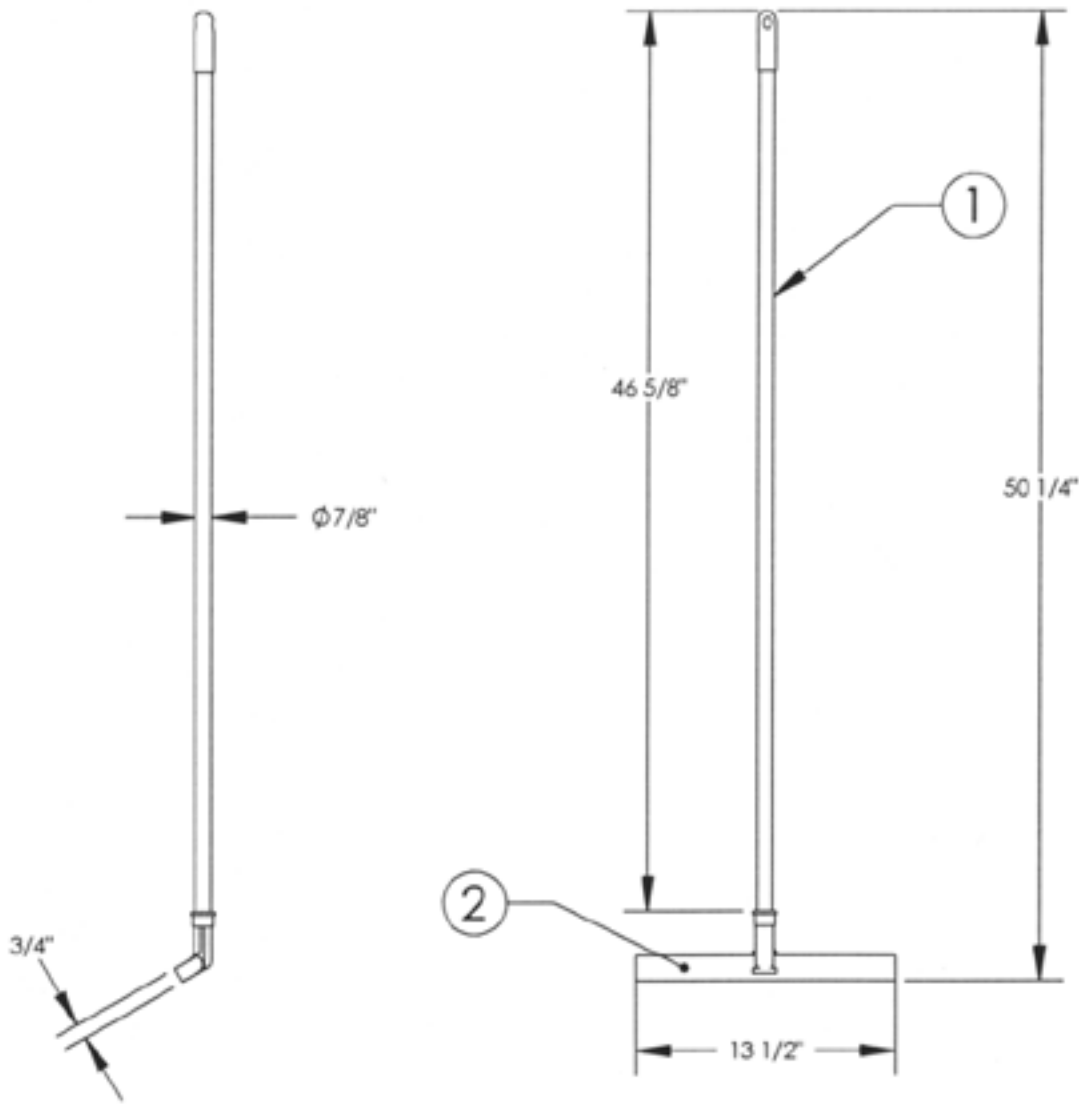


No.	Description/Materials
1	HANDLE - STEEL
2	BLADE - FOAM RUBBER



total part wt. 1.0 LBS

capacity \_\_\_\_\_

\_\_\_\_\_

\_\_\_\_\_

agency approvals \_\_\_\_\_

miscellaneous \_\_\_\_\_

\_\_\_\_\_

\_\_\_\_\_

### Product Specifications

**Rubbermaid** RUBBERMAID COMMERCIAL PRODUCTS LLC

product name CLEANING WAND

product no. 9M01 revision 0

9M01