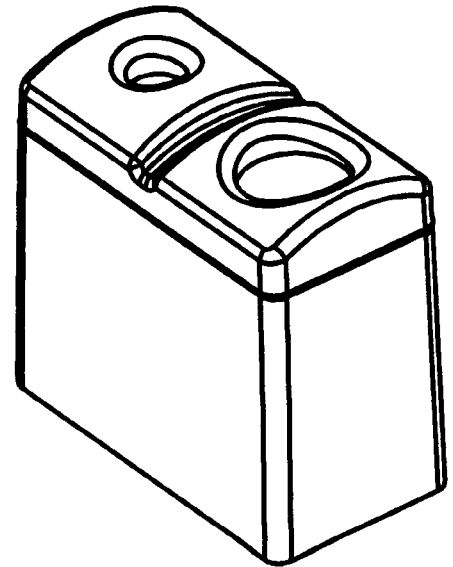
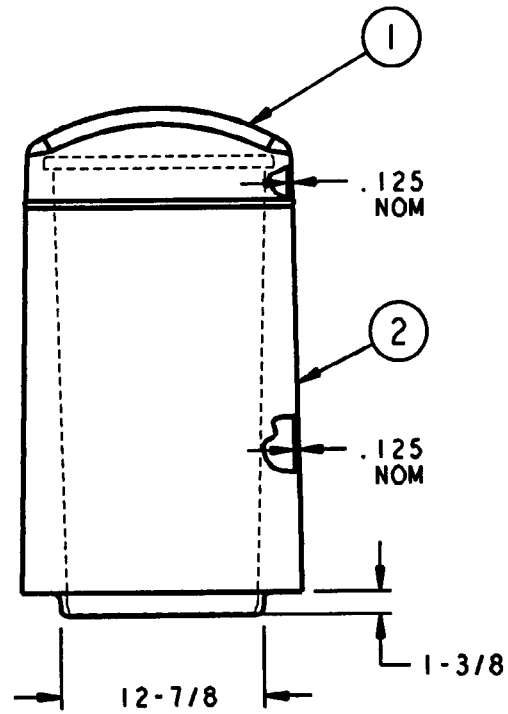
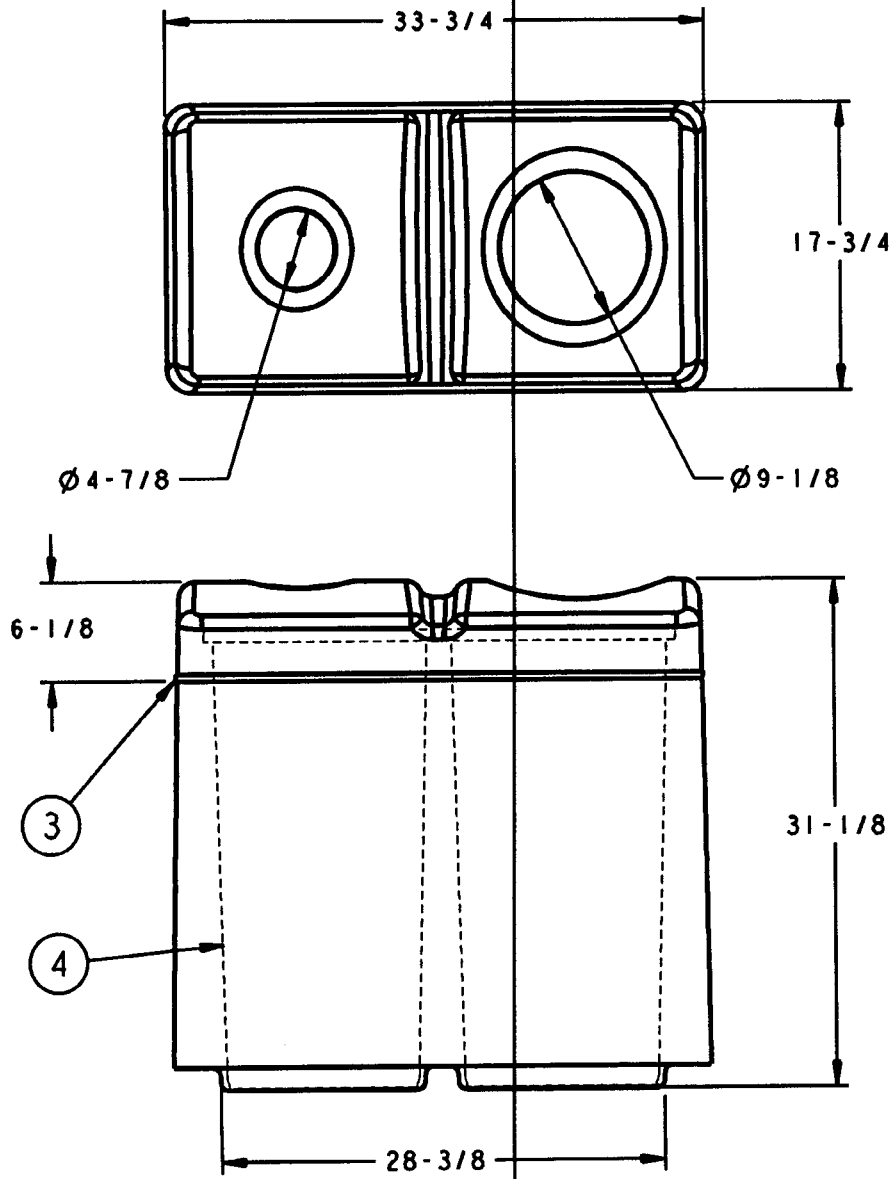



No.	Description/Materials
1	LID - SEE MISC NOTE BELOW
2	BASE - SEE MISC NOTE BELOW
3	TRIM EDGING - PVC/AL
4	3569 LINER - PE



<p>total part wt. <u>34.5 LBS</u></p> <p>capacity <u>46 GAL UNIT CAPACITY</u></p>	<p>agency approvals _____</p> <p>miscellaneous <u>UNIT INCLUDES (2) 3569 LINERS</u></p> <p><u>BASE AND TOP MANUFACTURED FROM CLASS I/A</u></p> <p><u>FLAME RETARDENT POLYESTER RESIN</u></p>	<p>Product Specifications</p> <p> RUBBERMAID COMMERCIAL PRODUCTS INC.</p> <p>product name <u>PAPER/TRASH RECYCLE CENTER</u></p> <p>product no. <u>9668</u> revision <u>0</u></p>
---	--	---

product no. 9668