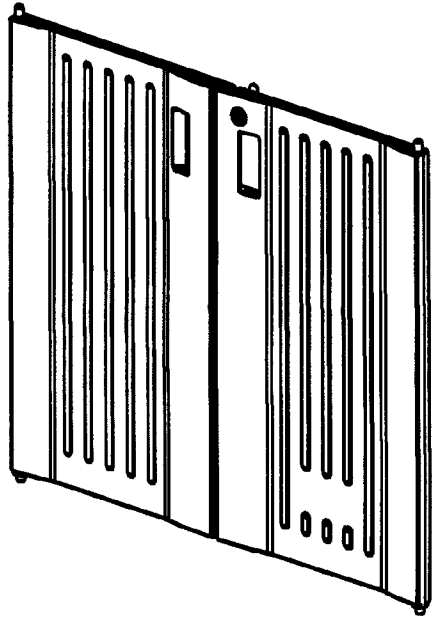
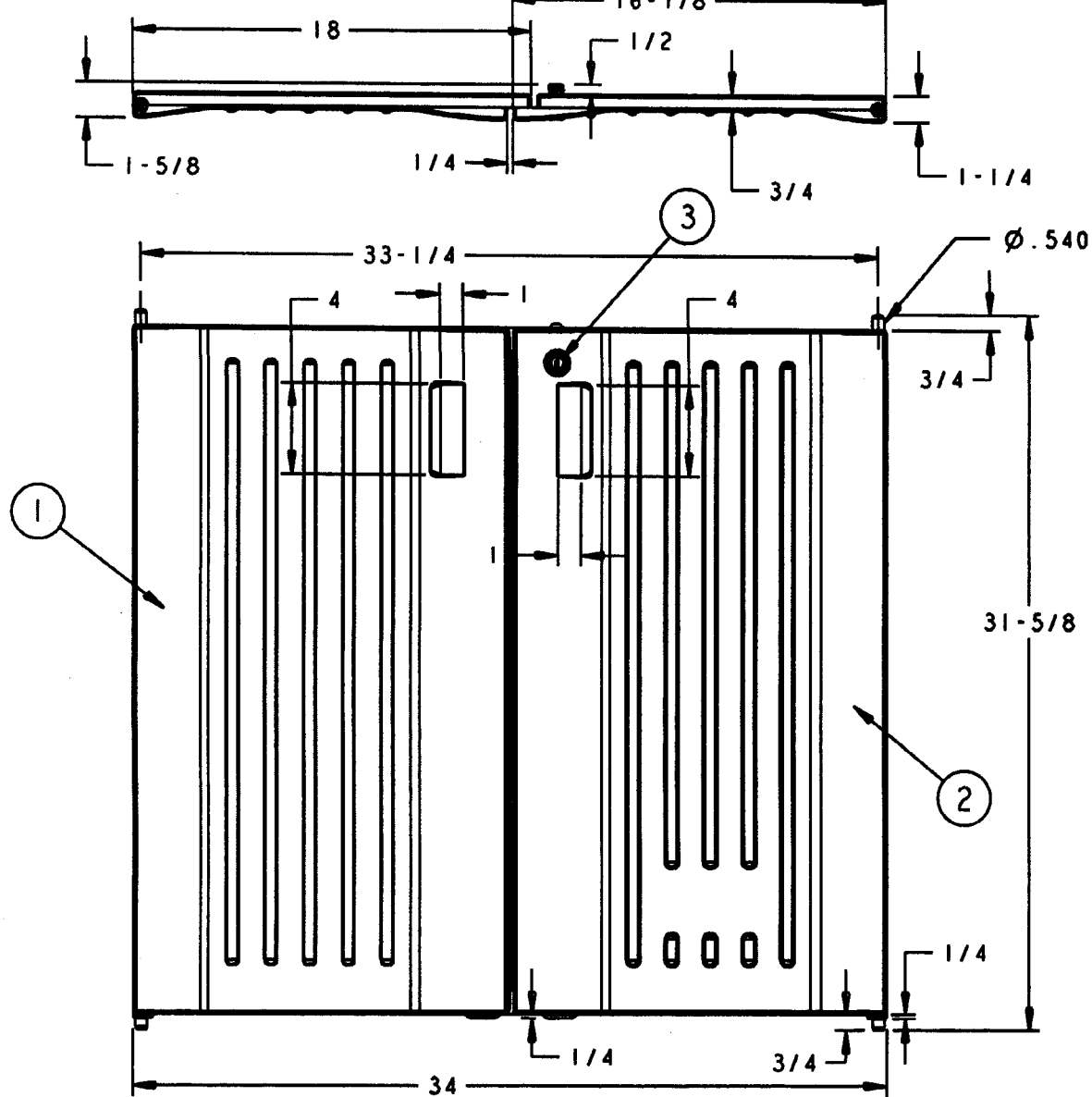



No.	Description/Materials
1	LEFT DOOR - PE
2	RIGHT DOOR - PE
3	LOCK ASSEMBLY - METAL



total part wt. <u>8 LBS</u>	agency approvals _____	<b>Product Specifications</b>  RUBBERMAID COMMERCIAL PRODUCTS INC. product name <u>HOUSEKEEPING CART - DOOR KIT</u>
capacity _____	miscellaneous <u>ALL LOCKS KEYED THE SAME</u>	
_____ _____	_____ _____	product no. <u>6197</u> revision <u>0</u>

product no. 6197