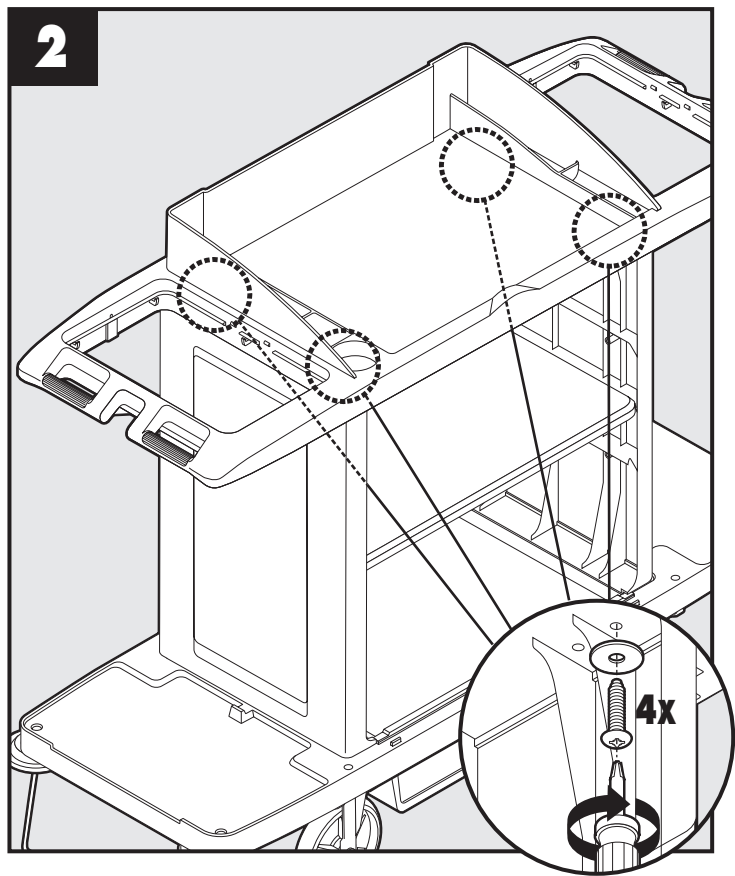
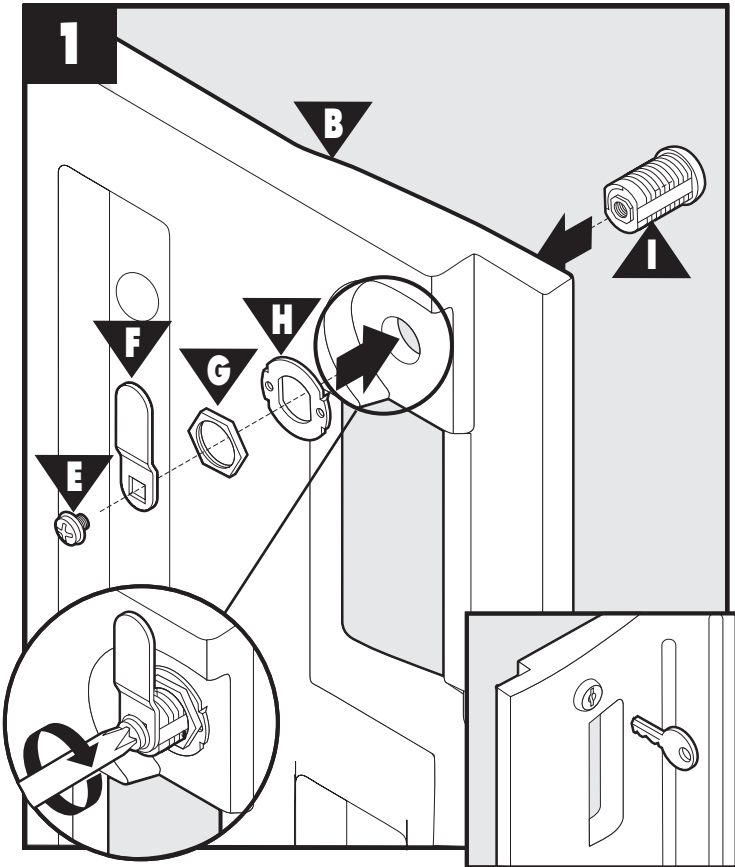
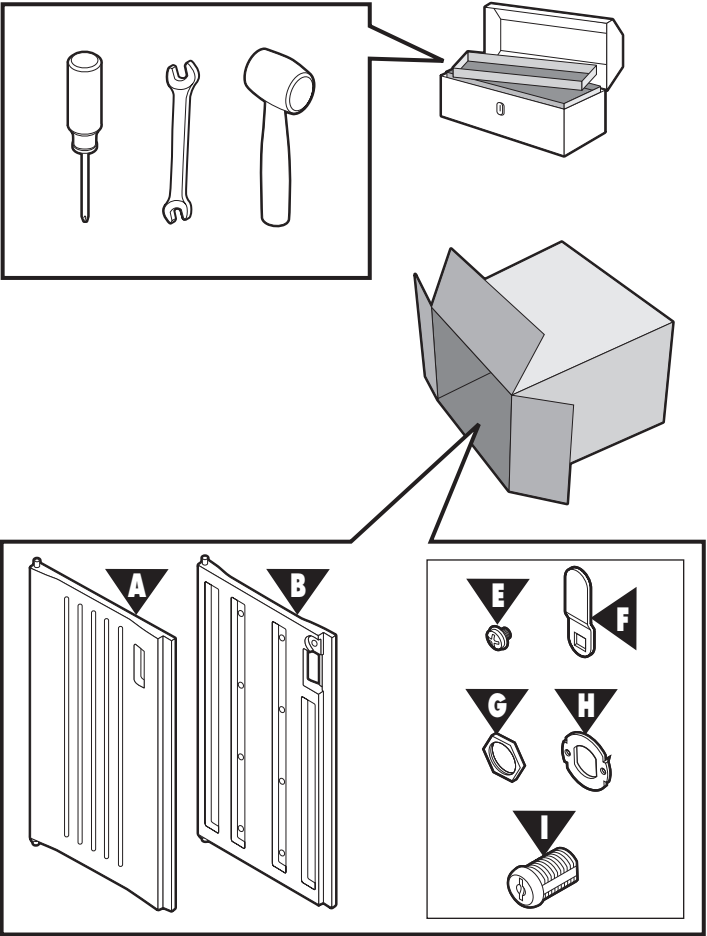
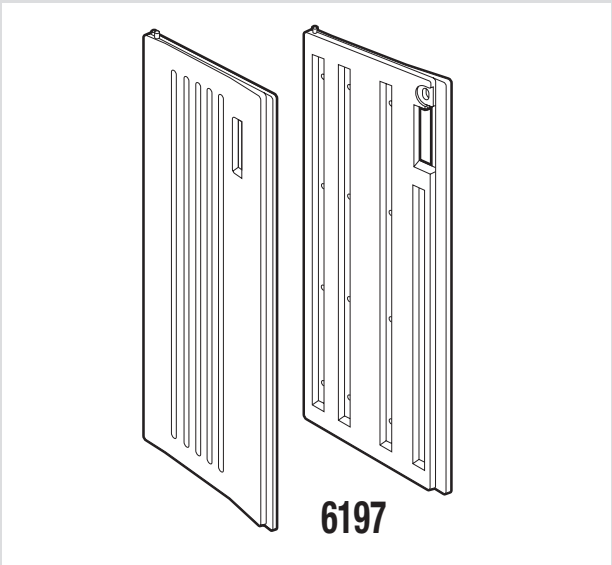
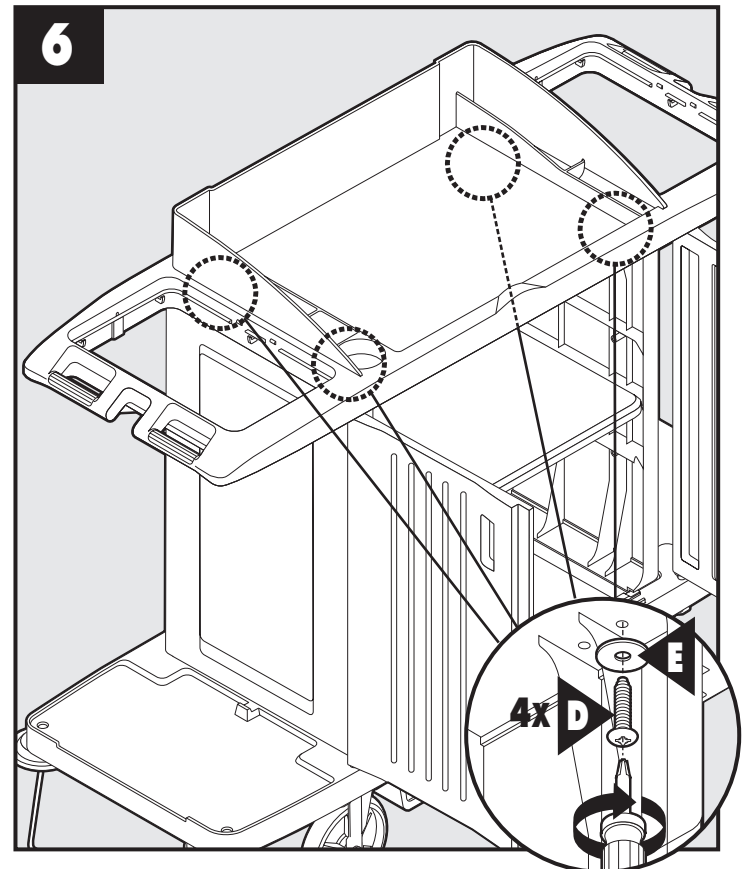
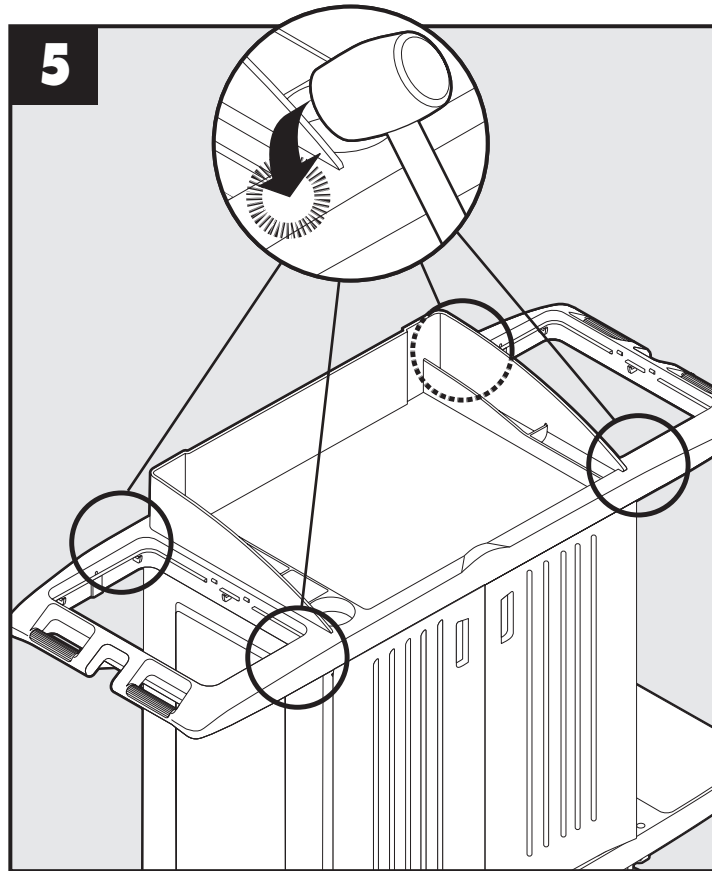
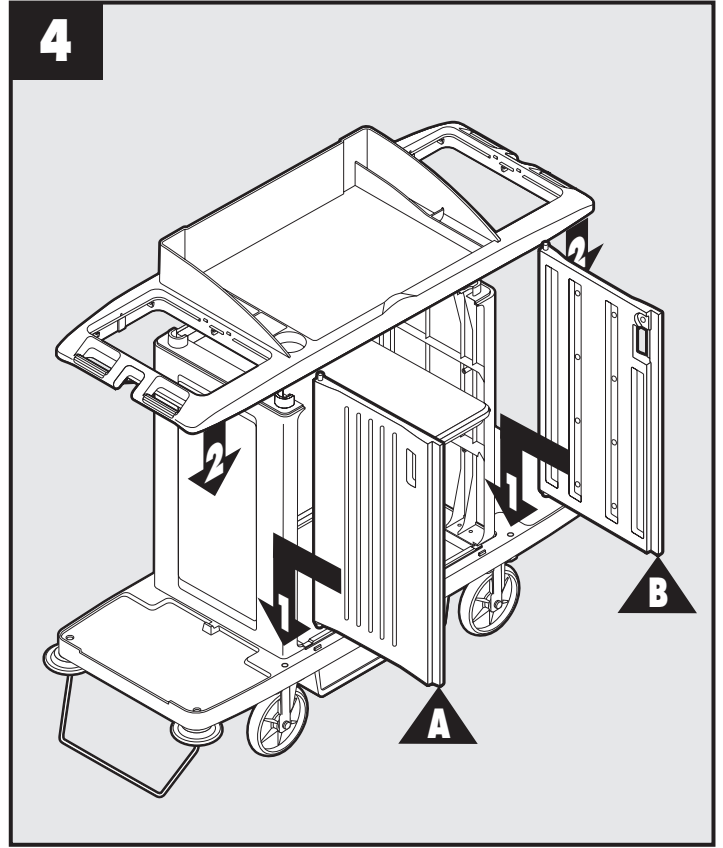
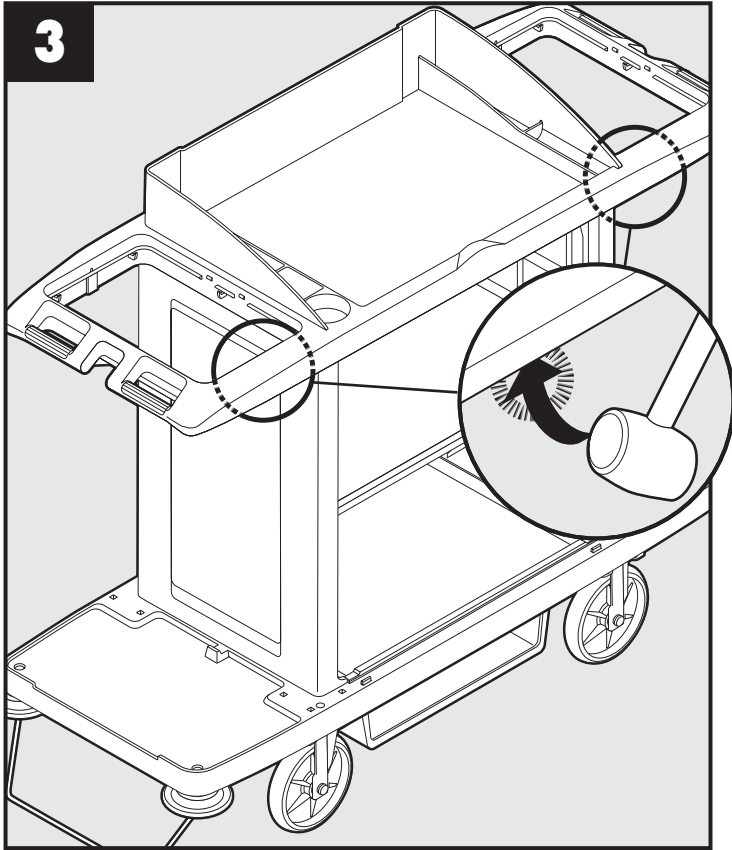


# Rubbermaid®

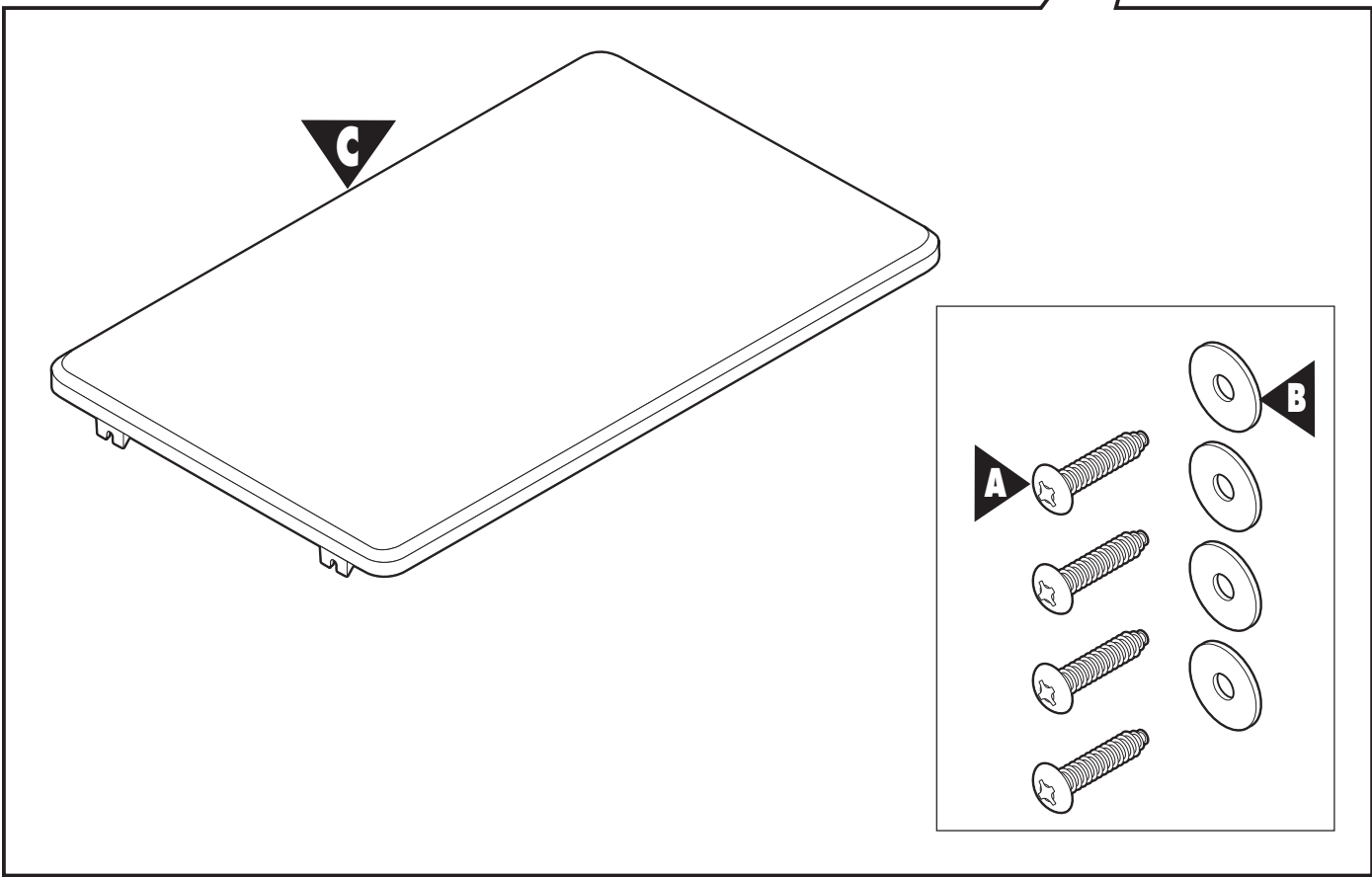
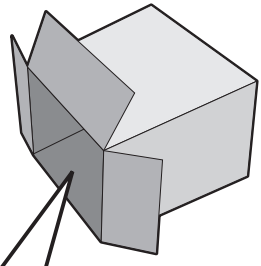
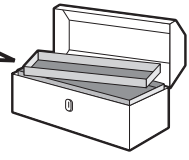
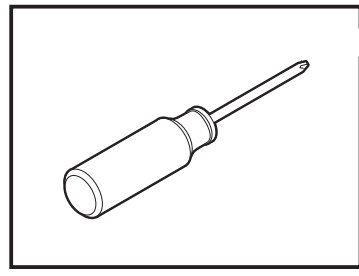
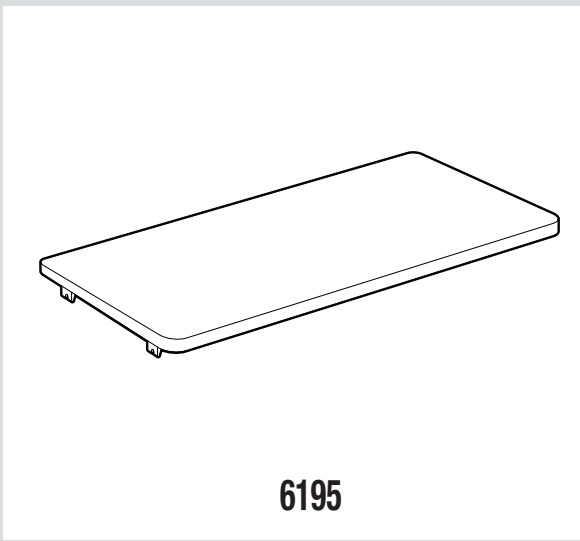
## Commercial Products

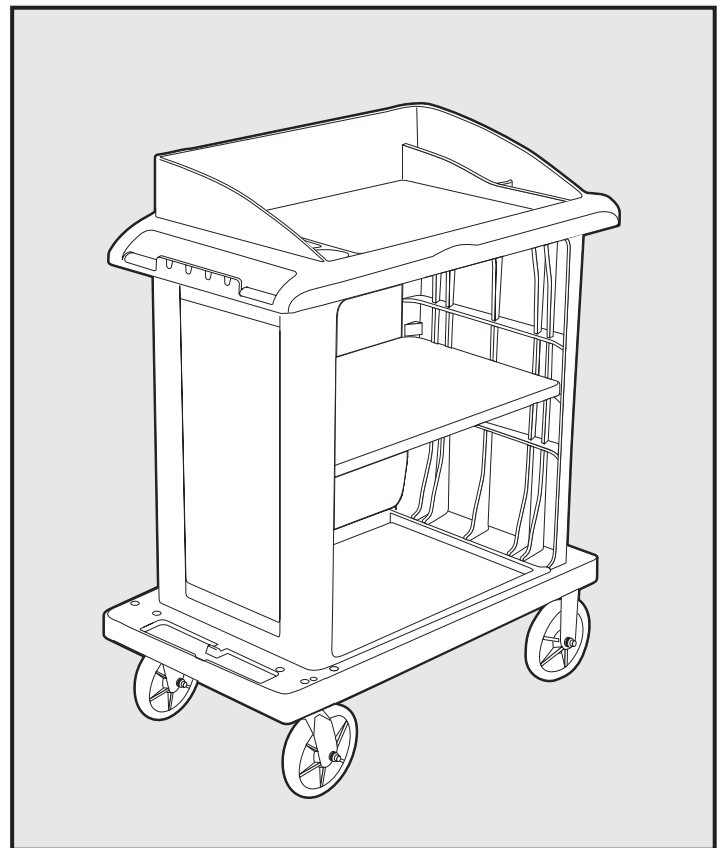
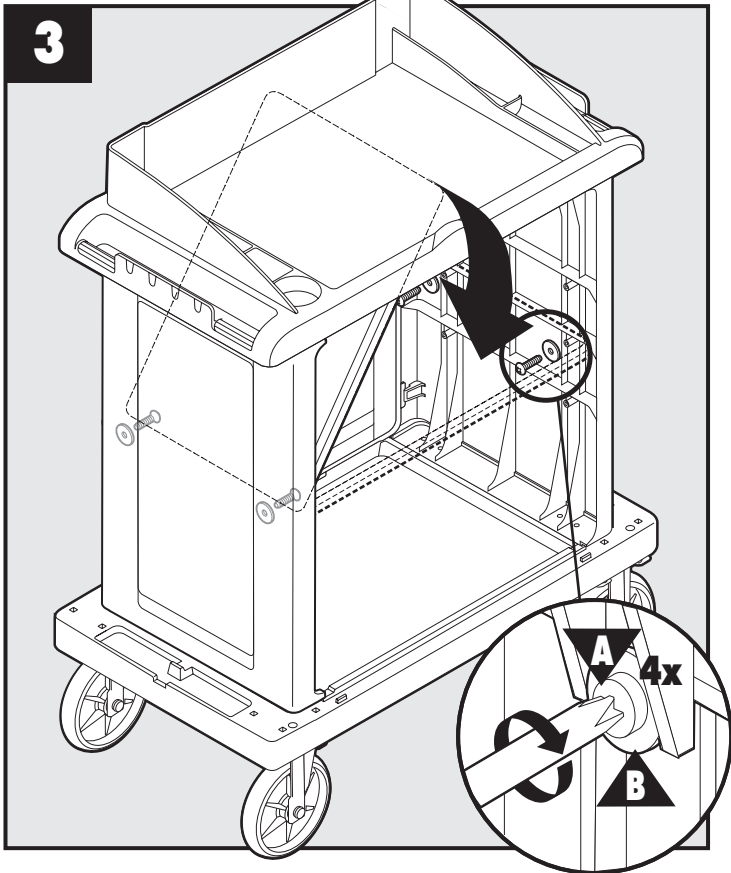
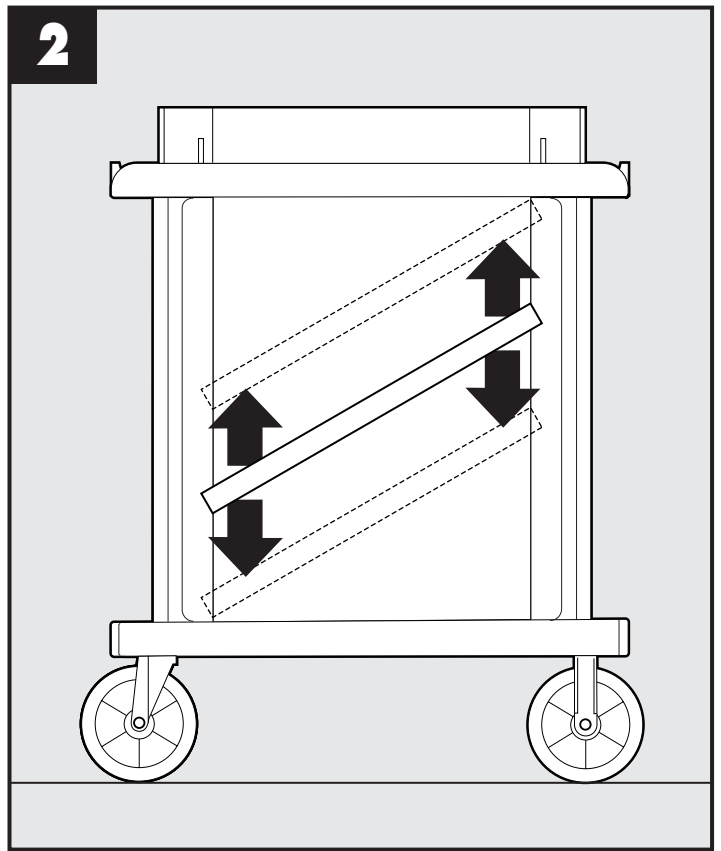
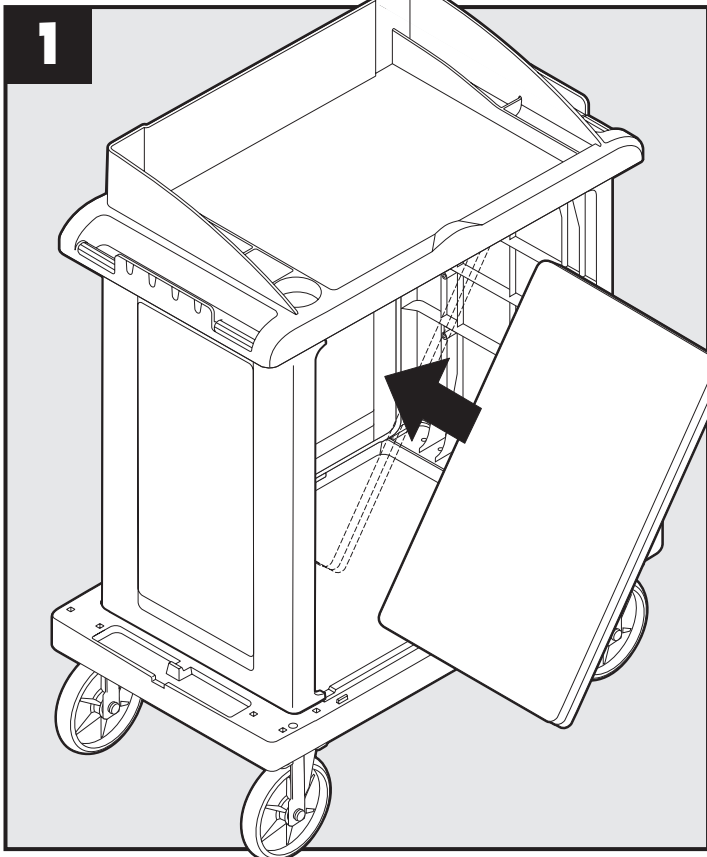






Commercial Products





Products manufactured under quality management system registered to ISO 9002  
 ©2001 Rubbermaid Commercial Products LLC  
 Printed in U.S.A. 6/01  
**Product #6195/6197**  
 Instruction #70-6195-00



Rubbermaid Commercial Products LLC  
 3124 Valley Avenue  
 Winchester, VA 22601 U.S.A.  
 Phone: 540-667-8700  
 Fax: 540-542-8770  
[www.rubbermaidcommercial.com](http://www.rubbermaidcommercial.com)