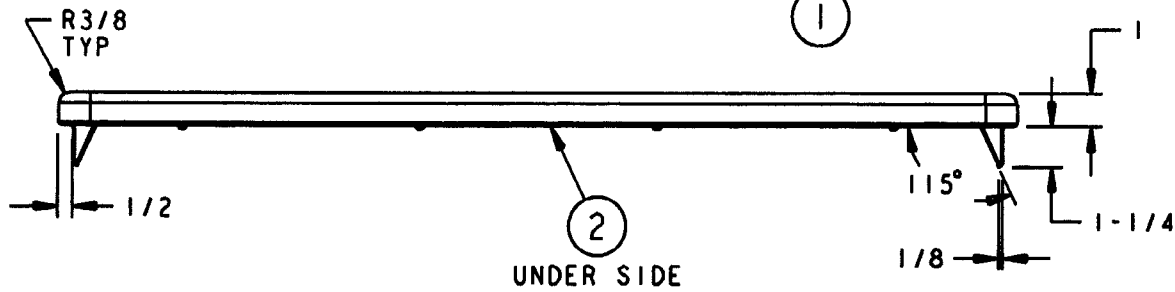
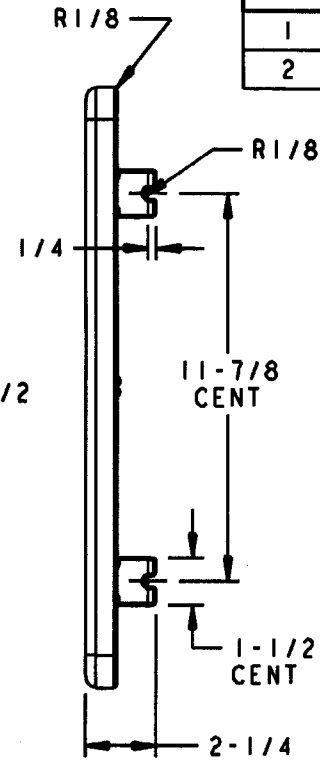
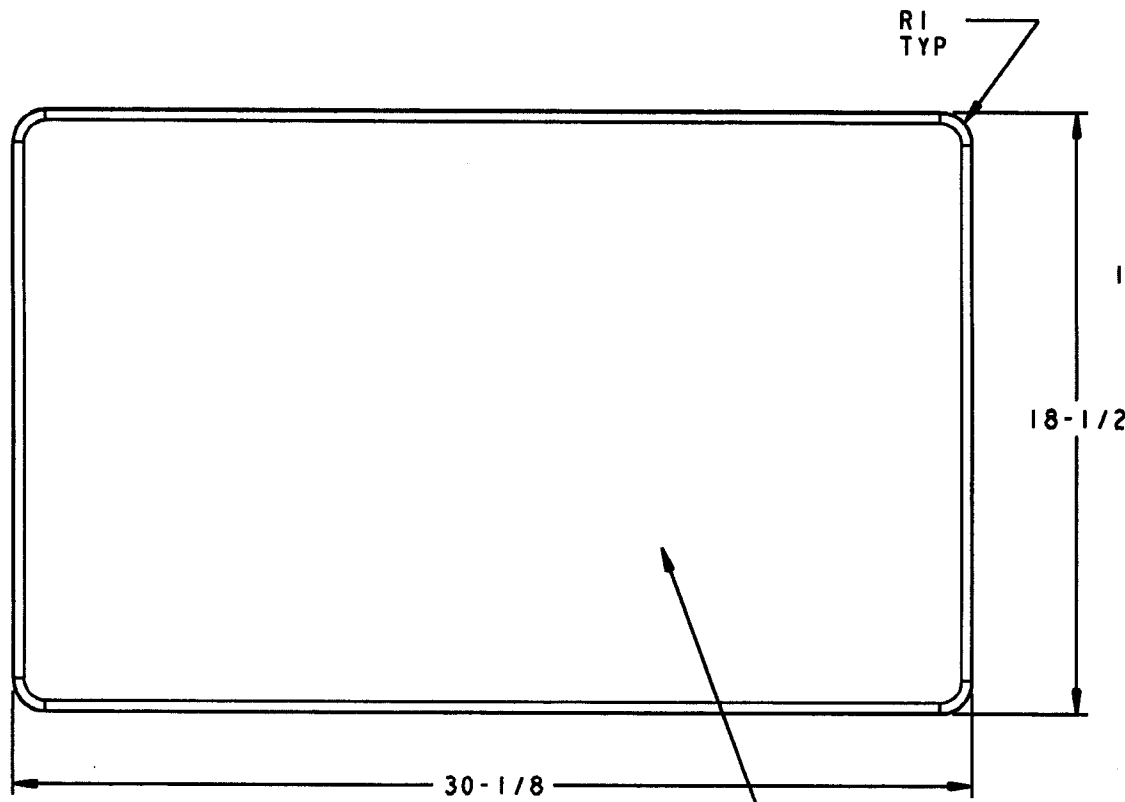
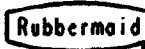


No.	Description/Materials
1	SHELF - PP
2	REINFORCEMENT BAR - STL



total part wt. 5 LBS
 capacity _____

agency approvals _____
 miscellaneous MAX. LOAD 50 LBS

Product Specifications
 RUBBERMAID COMMERCIAL PRODUCTS INC.
 product name HOUSEKEEPING CART SHELF
 product no. 6195 revision 0

product no. 6195