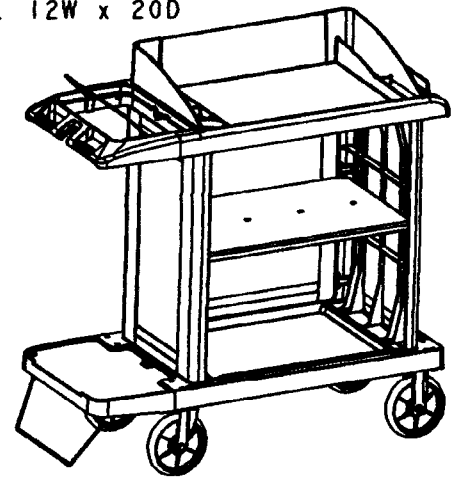


No.	Description/Materials
1	BOTTOM DECK - PP
2	TOP DECK - PP
3	LEFT SIDE PANEL - PP
4	RIGHT SIDE PANEL - PP
5	SHELF - PP
6	BACK PANEL - PE
7	SWIVEL CASTER - STL/RBR
8	FIXED CASTER - STL/RBR
9	VACUUM HOLDER - STL
10	POLYBAG HOLDER - STL
11	VINYL BAG W/ ZIPPER


INSIDE CABINET DIMENSIONS:
 31-1/4W x 19-1/8D x 31-3/4H
 SHELF DIMENSION:
 30-1/8 W x 18-1/2D x 1H
 END SHELF DIMENSION:
 APPROX. 12W x 20D



total part wt. 74 LBS
 capacity _____

agency approvals _____
 miscellaneous SHELF CAN BE LOCATED AT 3 VERTICAL POSITIONS

6190 SHOWN
6192 SAME W/ DOORS

Product Specifications
 RUBBERMAID COMMERCIAL PRODUCTS INC.
 product name HOUSEKEEPING CART
 product no. 6190/6192 revision 0

Product No. 6190/6192