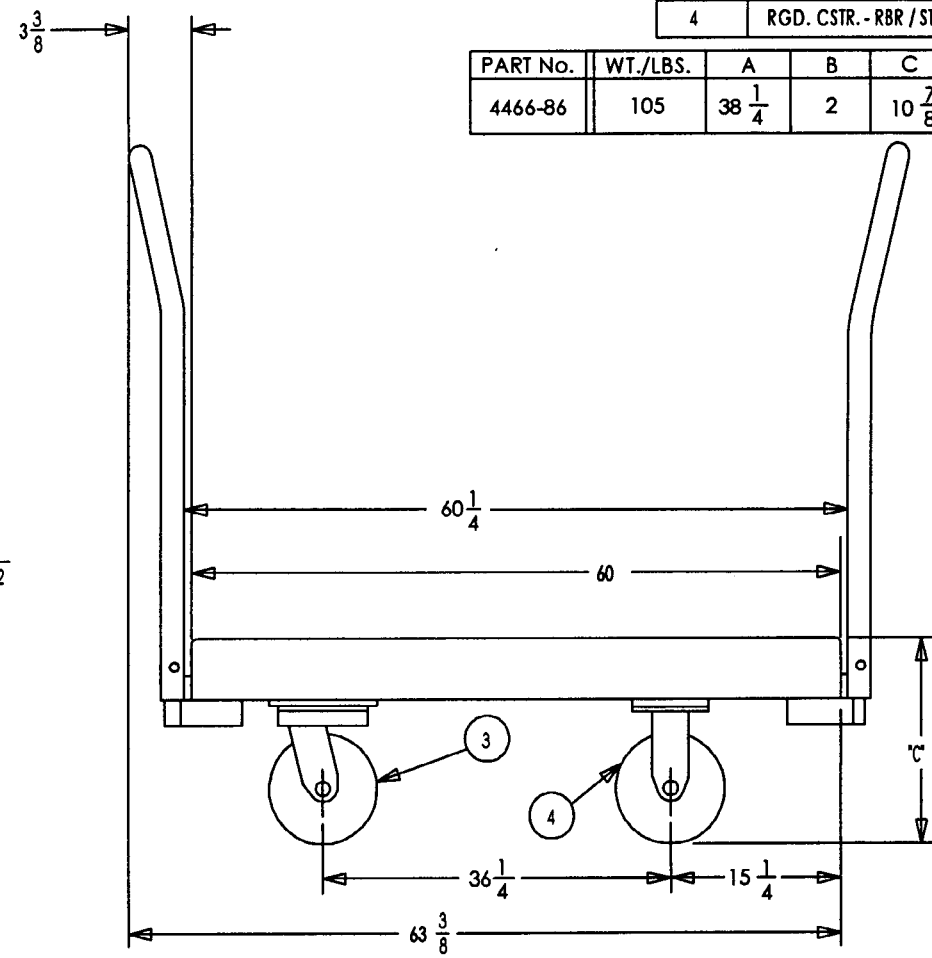
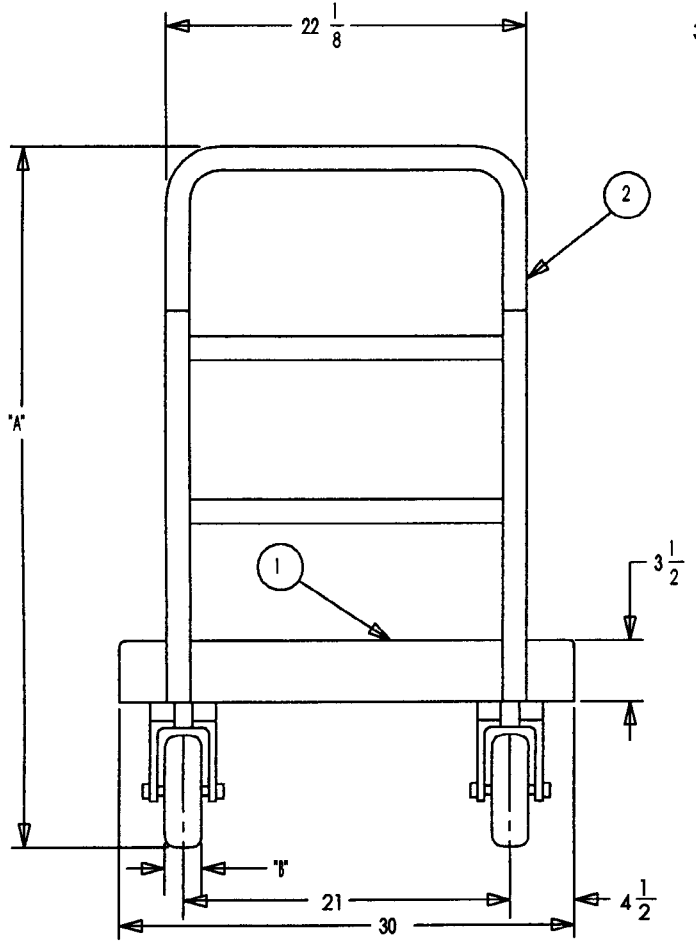


No.	Description/Materials
1	DECK - FOAMED PE
2	HANDLE - STEEL
3	SWVL. CSTR. - RBR / STL
4	RGD. CSTR. - RBR / STL

PART No.	WT./LBS.	A	B	C	CASTER	CAPACITY
4466-86	105	$38 \frac{1}{4}$	2	$10 \frac{7}{8}$	6" DIA.	1000 LBS.




total part wt. SEE CHART

capacity SEE CHART


agency approvals NSF, USDA

miscellaneous _____

Product Specifications

 RUBBERMAID COMMERCIAL PRODUCTS INC.

product name 30 x 60 PLATFORM TRUCK

product no. 4466-86 revision 0 

product no. 4466-86