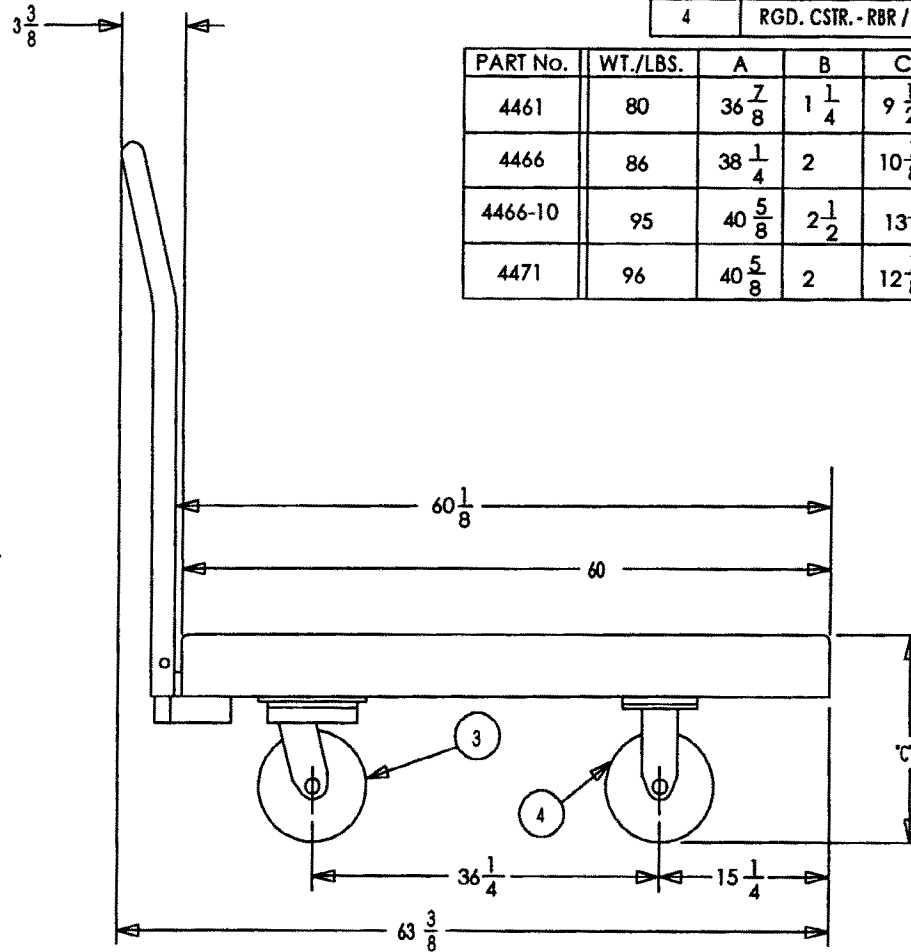
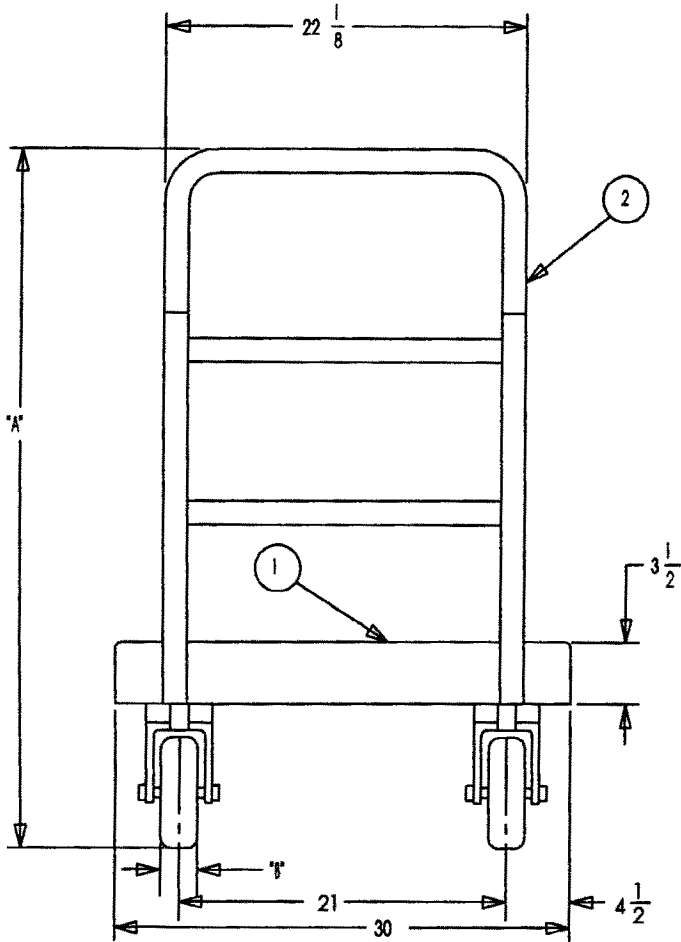


No.	Description/Materials
1	DECK - FOAMED PE
2	HANDLE - STEEL
3	SWVL. CSTR. - RBR / STL
4	RGD. CSTR. - RBR / STL

PART No.	WT./LBS.	A	B	C	CASTER	CAPACITY
4461	80	$36 \frac{7}{8}$	$1 \frac{1}{4}$	$9 \frac{1}{2}$	5" DIA.	500 LBS.
4466	86	$38 \frac{1}{4}$	2	$10 \frac{7}{8}$	6" DIA.	1000 LBS.
4466-10	95	$40 \frac{5}{8}$	$2 \frac{1}{2}$	$13 \frac{1}{8}$	$8 \frac{3}{4}$ " DIA.	1000 LBS.
4471	96	$40 \frac{5}{8}$	2	$12 \frac{7}{8}$	8" DIA.	2000 LBS.




total part wt. SEE CHART

capacity SEE CHART

agency approvals NSF, USDA

miscellaneous _____

Product Specifications

 RUBBERMAID COMMERCIAL PRODUCTS INC.

product name 30 x 60 PLATFORM TRUCK

product no. NOTED revision 1

product no. _____

NOTED