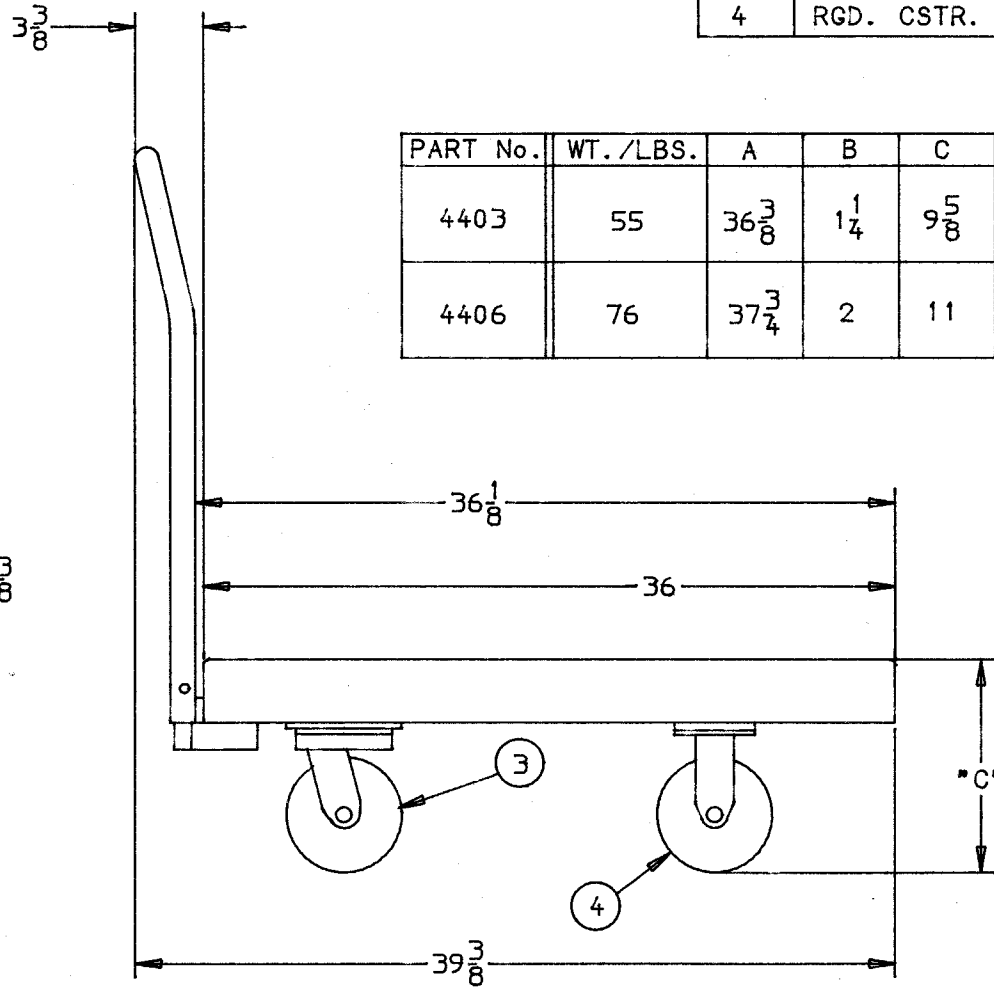
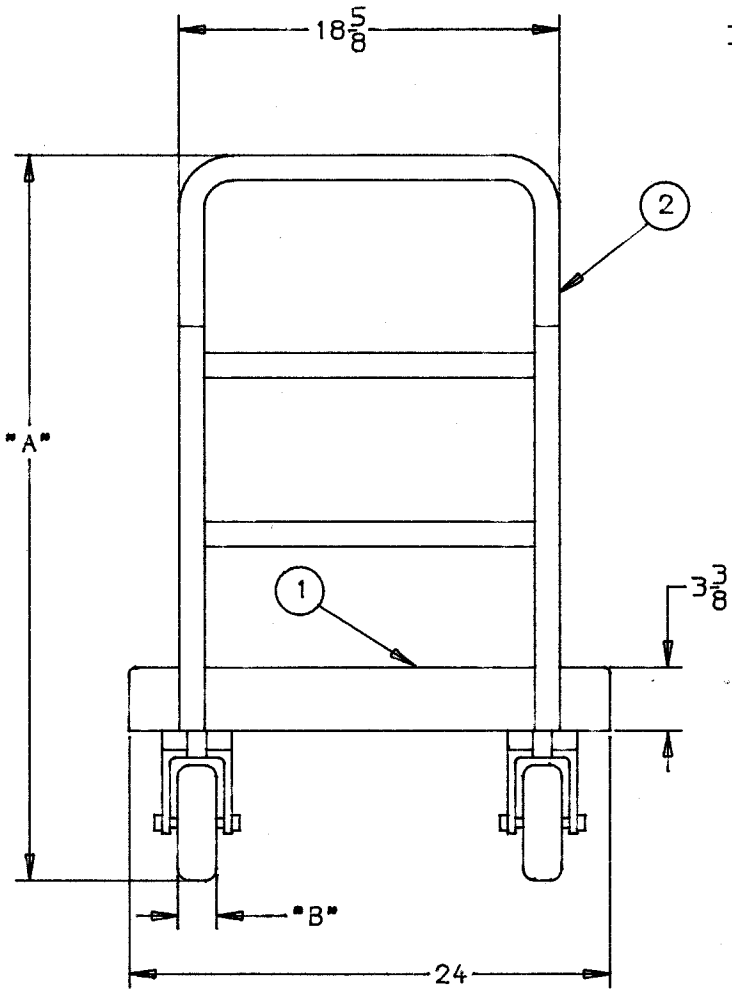


No.	Description/Materials
1	DECK - FOAMED PE
2	HANDLE - STEEL
3	SWVL. CSTR. - RBR / STL
4	RGD. CSTR. - RBR / STL



PART No.	WT. /LBS.	A	B	C	CASTER	CAPACITY
4403	55	36 ³ / ₈	1 ¹ / ₄	9 ⁵ / ₈	5" DIA.	500 LBS.
4406	76	37 ³ / ₄	2	11	6" DIA.	1000 LBS.

total part wt. SEE CHART

capacity SEE CHART

agency approvals NSF. USDA

colors _____

miscellaneous _____

Product Specifications



product no. 24 x 36 PLATFORM TRUCK

product no. NOTED revision 3

product no. NOTED