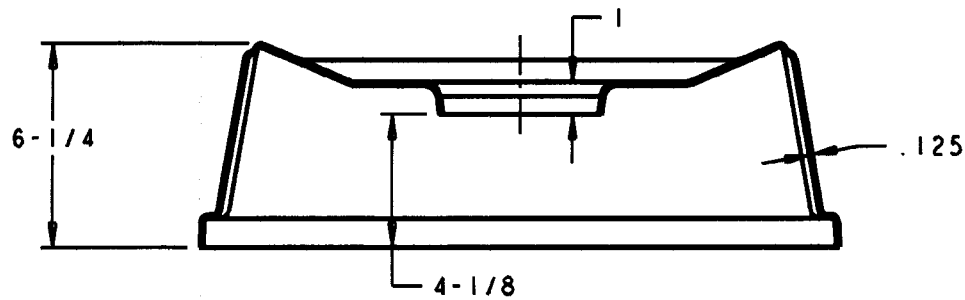


No.	Description/Materials
1	TOP - PE



total part wt. 3.2 LBS

capacity \_\_\_\_\_

\_\_\_\_\_

\_\_\_\_\_


agency approvals \_\_\_\_\_

miscellaneous FITS 3958, 3959 CONTAINERS

\_\_\_\_\_

\_\_\_\_\_

Product Specifications

 RUBBERMAID COMMERCIAL PRODUCTS INC.

product name UT BOTTLE RECYCLE TOP

product no. 2791 revision 0

product no. 2791